



Storage Book

demetra  | European Inspired
euro-cabinetry | American Made





Kitchen

Wall Cabinet Storage

- 1.1 Tambour Door
- 1.2 Box Milano
- 1.3 IMove Pull Down Unit

Base Corners

- 2.1 LeMans II
- 2.2 Cornerstone Maxx
- 2.3 Lazy Susan
- 2.4 Floating Susan

Trash Pull-Out

- 3.1 Trash Pull-Out

Base Pull-Outs

- 4.1 Base Pull-Out (Spice Rack)
- 4.2 Base Pull-Out (90° 2-Tier Pull-Out)
- 4.2 Base Pull-Out (90° Baking Tray)
- 4.3 Base Pull-Out (Accessories)
- 4.4 Base Pull-Out (YouBoxx)
- 4.5 Appliance Lift

Tall Cabinet Storage

- 5.1 Pantry Pull-Out
- 5.3 Lavidio Pantry Pull-Out
- 5.5 LeMans II (for Tall Corner)
- 5.6 Wood Tall Filler Pull-Out



ALOUE
CASSIS
ALOUE
CASSIS

GHORBAN
FETTUCCINE
ALL' UOVO
HANDGEWACHTE NOEDLN
US 21 UND HARTWEIZENMESSL

SUGO DI POMODORO
ALL'ARRABBIATE
Donna Anna

GHORBAN
ACETO
BALSAMICO
DI MODENA ISP
IMBECCHATO



WALL CABINET STORAGE

TAMBOUR DOOR

- Made from tempered safety glass for durability and scratch-proof protection
- 50 mm wide slats for a high-end look
- Smooth opening mechanism for easy use
- Exceptional ease of installation



Color
White Only

Material
Glass

- Note**
- The height is adjustable by removing slats to the desired height.
 - The width cannot be adjusted due to the rolling mechanism size.



W x H(Exterior): 23.62" x 59.05" (Adjustable Height)

SKU	Size	Color
705619-003	600mm x 1500mm	White Door
705141-002	600mm x 1500mm Tracks	Stainless Steel Tracks

BOX MILANO

- Discreet way to capture small appliances and create additional enclosed storage space in the kitchen
- Unit height can be trimmed down by simply cutting the bottom of the front rails to the needed height
- Dimensions listed are outside cabinet dimension; unit is designed for 3/4" panels



WALL CABINET STORAGE

BASE CORNERS

PULL-OUT TRASH

PULL-OUTS BASE

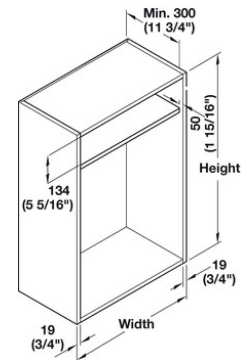
TALL CABINET STORAGE

STANDARD SLATS

- Slat height: 1"

Material
Aluminum

Note
Custom sizes of the Box Milano can be special ordered for a minimum of 5 kits (allow 4–6 weeks for delivery).



Cabinet Hight: 57"

	18" Depth	24" Depth	
Width	Demetra Cabinet SKU	Demetra Cabinet SKU	Stainless Steel
18"	AG185718	AG185724	443.17.095
21"	AG215718	AG215724	443.17.101
24"	AG245718	AG245724	443.17.107
30"	AG305718	AG305724	443.17.113
36"	AG365718	AG365724	443.17.119

IMOVE PULL DOWN UNIT

KESSEBÖHMER

- Cabinet items are easily reachable
- Pulling gently on the handle delivers a perfect sequence of movement
- Suitable for hinged doors and lift-up fittings
- Shelf stays where you let go when loaded
- Loading function: Pull shelf all the way down and it will hold in place for loading, only needed when empty
- A perfect fit for every wall cabinet, even those impossible to reach top shelves
- Weight capacity: up to 17.64 lbs.



Material

Surround: Steel
Bottom and back: Melamine

Supplied With

Mounting material and instructions

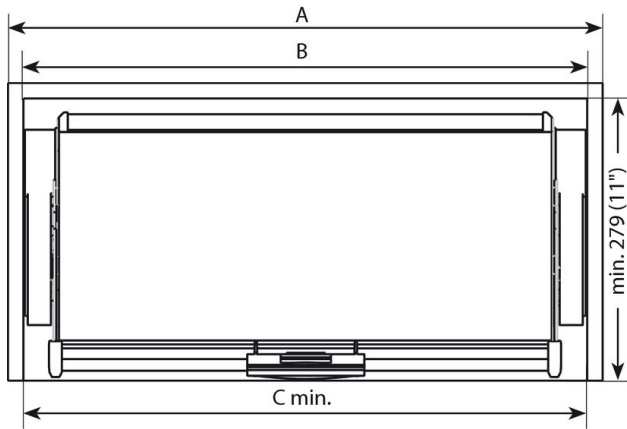


Single, Champagne/Maple

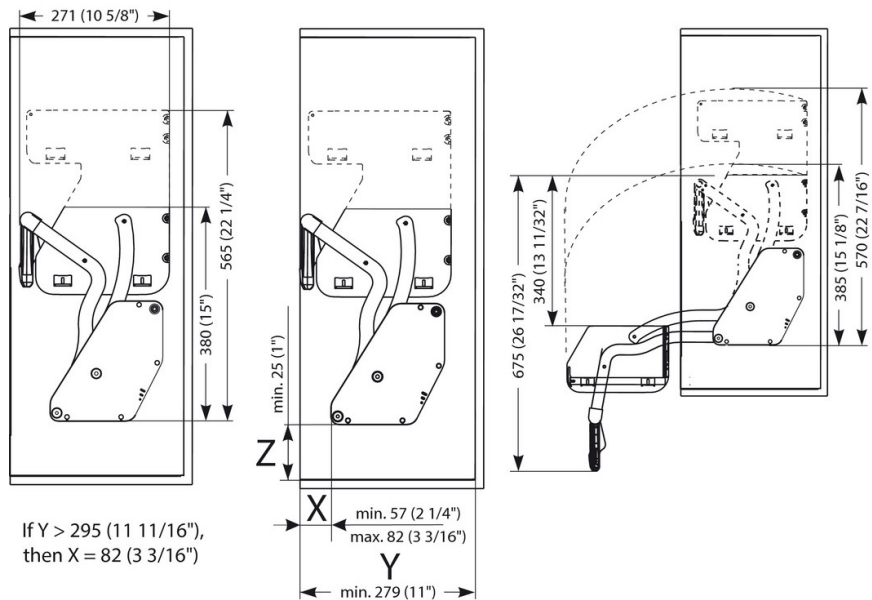
Double, Champagne/Maple

Demetra Cabinet SKU	Shelf #	A	B	C min	Champagne/Maple
W2124	Single	21"	19 1/2" - 19 3/4"	19 1/2" - 19 3/4"	504.69.832
W2424	Single	24"	22 1/2" - 22 3/4"	22 1/2" - 22 3/4"	504.69.833
W2724	Single	27"	25 1/2" - 25 3/4"	25 1/2" - 25 3/4"	504.69.834
W3024	Single	30"	28 1/2" - 28 3/4"	28 1/2" - 28 3/4"	504.69.835
W3324	Single	33"	31 1/2" - 31 3/4"	31 1/2" - 31 3/4"	504.69.836
W3624	Single	36"	34 1/2" - 34 3/4"	34 1/2" - 34 3/4"	504.69.837
W2136	Double	21"	19 1/2" - 19 3/4"	19 1/2" - 19 3/4"	504.69.842
W2436	Double	24"	22 1/2" - 22 3/4"	22 1/2" - 22 3/4"	504.69.843

Frameless cabinet



A: cabinet size
 B: cabinet interior dimension
 C: clear door opening



If $Y > 295$ (11 11/16\"),
 then $X = 82$ (3 3/16\")

INSTALLATION GUIDE IMOVE SINGLE SHELF

Dimensions	Hinged door	Hinged door
Hinge protrusion	< 1"	> 1"
Installation height, higne	2 9/16"	2 9/16"
Installation height, iMove	1"	3 5/32"
Installation depht, iMove	2 1/4"	2 1/4"
Clear inside cabinet depht	y min 11"	y min 11"
Minimum cabinet height*	20 7/16"	22 7/8"

*Cabinet heights vary with the individual installation situations.

INSTALLATION GUIDE IMOVE DOUBLE SHELF

Dimensions	Hinged door	Hinged door
Hinge protrusion	< 1"	> 1"
Installation height, higne	2 9/16"	2 9/16"
Installation height, iMove	1"	3 5/32"
Installation depht, iMove	2 1/4"	2 1/4"
Clear inside cabinet depht	y min 11"	y min 11"
Minimum cabinet height*	27 29/32"	30 5/16"

*Cabinet heights vary with the individual installation situations.



enni
EXTRA VIRGIN
OLIVE OIL
PROF. COLORE
enni
AVOCADO OIL

WOLF



BASE CORNERS

LEMANS II

KESSEBÖHMER

- An efficient and flexible storage solution offering highly usable space with full access that brings cabinet contents out to you
- Height of door hinge must be considered
- Shelves are height adjustable every 2"

HÄFELE *soft&silent)))*



WALL CABINET STORAGE

BASE CORNERS

TRASH PULL-OUT

BASE PULL-OUTS

TALL CABINET STORAGE

SHELF WITH ADJUSTABLE POST

- Maximum weight capacity per shelf: 55 lbs.
- Minimum door opening 85°
- Internal cabinet height: min. 21 1/2"

Material

Shelf: Melamine; Surround: Steel

Supplied With

2 Trays, 2 Posts, 2 Soft Close

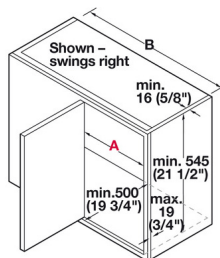
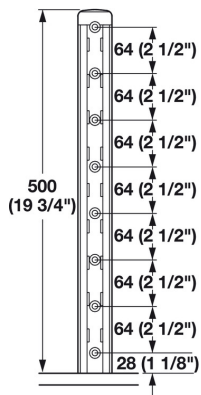
Non
Slip



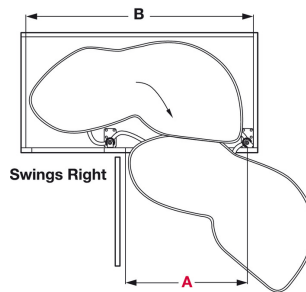
Maple/Champagne

Demetra Cabinet SKU	Model	Tray Size	Capacity	Swing	Maple/Champagne
BBC42(18)LE-L	45	15"	723 sq.in.	right	541.32.445
BBC42(18)LE-R	45	15"	723 sq.in.	left	541.32.446
BBC45(21)LE-L	50	18"	884 sq.in.	right	541.32.450
BBC45(21)LE-R	50	18"	884 sq.in.	left	541.32.451

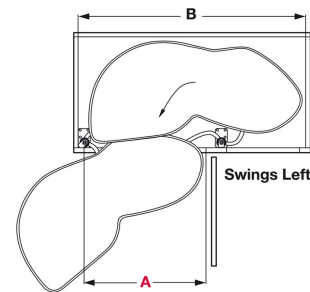
CRITICAL DIMENSIONS



Model/Tray Shape	Frameless A min.	B min.
45	419 mm (16 1/2")	820 mm (32 1/4")
50	467 mm (18 3/8")	920 mm (36 1/4")



A = Clear opening dimension



A = Clear opening dimension

CORNERSTONE MAXX

- Soft Open and Soft Close
- Shelves move in and out independently and do not obstruct the adjacent cabinet
- Rapid single post install with floating design
- Tool-free assembly of shelves onto supports
- Simple height adjustment (Min. 19-5/8")



WALL CABINET STORAGE

BASE CORNERS

PULL-OUT TRASH

PULL-OUTS BASE

TALL CABINET STORAGE

SHELF WITH UNIVERSAL HARDWARE

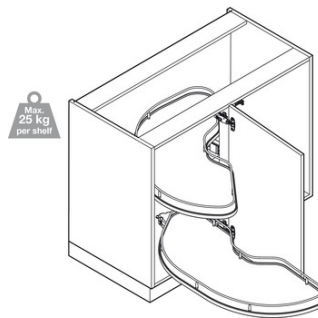
- System payload capacity: max. 25 kg per shelf

Material

Shelf: Melamine; Surround: Steel

Supplied With

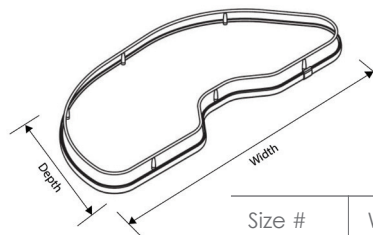
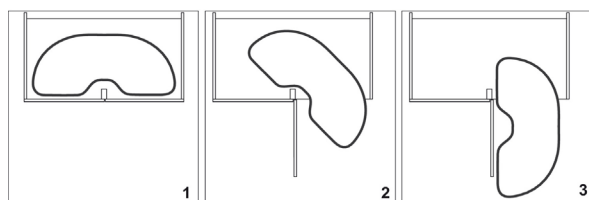
1 set of shelves (choose LH or RH), 1 hardware Kit



Maple Shelf/Silver Rail

Demetra Cabinet SKU	Size #	Swing	Maple/Silver
BBC42(18)CS-L	2	left	90007614
BBC42(18)CS-R	2	right	90007613
BBC45(21)CS-L	3	left	90007616
BBC45(21)CS-R	3	right	90007615

CRITICAL DIMENSIONS



Size #	Width	Depth	Min Opening Size
2	33"	14-3/4"	16"
3	37"	16-3/4"	18"

LAZY SUSAN

- standing the test of time, Rev-A-Shelf's Lazy Susan line is revered as the best in the industry with exceptional quality, unfaltering durability, and premium selection.



KIDNEY SHAPED SHELF WITH BANDED WOOD

- 2" Banded wood rim
- Doweled (2) butt joint
- 5/8" Thick maple shelf bottom
- Independently rotating
- Almond hardware
- Steel bearings
- TSCA Title VI compliant

Supplied With

- 2 Shelves
- 26"-31" Telescoping Post

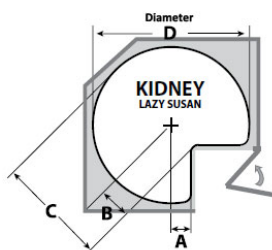


Kidney Shaped



(2) Shelf Banded Wood Lazy Daisy w/ 26"-31" Telescoping Post

Demetra Cabinet SKU	Description	DIMS	Maple
LS33L(R)	(2) Shelf Set	28" Diameter	LD-4BW-472-28-1
LS36L(R)	(2) Shelf Set	32" Diameter	LD-4BW-472-32-1
LS3336L(R)	(2) Shelf Set	28" Diameter	LD-4BW-472-28-1
LS3633L(R)	(2) Shelf Set	28" Diameter	LD-4BW-472-28-1



Self	Material	Series	A	B	C	D	Post System
28" Kidney	wood	LD-4BW	2-7/8"	4-3/8"	18-1/4"	27-3/4"	1" IND
32" Kidney	wood	LD-4BW	4"	6"	21-7/8"	31-3/4"	1" IND

IND. = Independent Rotating System

FLOATING SUSAN

- The Cor Wheel Pro "Floating Shelf" - a pole-free lazy susan
- Pole-free = more storage space



WALL CABINET STORAGE

BASE CORNERS

TRASH PULL-OUT

BASE PULL-OUTS

TALL CABINET STORAGE

THE COR WHEEL PRO "FLOATING SHELF" - A POLE-FREE LAZY SUSAN

- Minimum installation height: 24-3/8" Doweled (2) butt joint
- EasyFit: tool-free installation of shelves onto the supporting arms
- Flexible base positioning irrespective of cabinet height
- Can be retrofitted into existing cabinets
- Max load bearing: 62 lbs per shelf
- Maple shelf, Silver rail

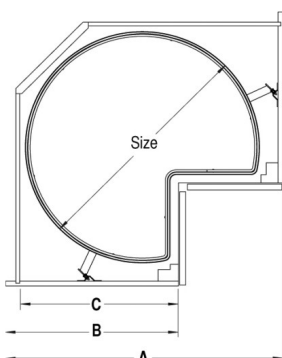
Supplied With

1 set consists of 2 Trays,
2 support arms,
2 wall brackets and mounting instructions.



Kidney Shaped
Maple shelf, Silver rail

Demetra Cabinet SKU	Description	DIMS	Maple/Silver
FS33L(R)	Pole-Free Lazy Susan	26-3/4" Diameter	90004100
FS36L(R)	Pole-Free Lazy Susan	30" Diameter	90004098
FS3336L(R)	Pole-Free Lazy Susan	26-3/4" Diameter	90004100
FS3633L(R)	Pole-Free Lazy Susan	26-3/4" Diameter	90004100



Self	Item #	A	B	C
26-3/4" Kidney	90004100	31-1/2"	21-1/4" - 24"	19-1/4" min
30" Kidney	90004098	35-1/2"	21-1/4" - 24"	19-1/4" min





TRASH PULL-OUT

TRASH PULL-OUT

- Full-extension soft-close slides
- 100 lb. weight capacity
- Easily door-mounted with 4-way adjustment
- Champagne finish with champagne bin(s)



soft&silent)))



CHAMPAGNE FINISH WITH CHAMPAGNE BIN(S)

- Trash Bin Size: 36Qt. or 52Qt., Single or Double

Material

Trash Bin: Plastic



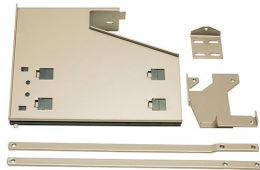
Demetra Cabinet SKU	Description	Product Dimensions			Min. Opening		Item No.	Replacement Bins
		Width	Depth	Height*	Width	Height		
B15T_SGL	Single 36Qt. bin	12-1/4"	22"	19"	12-1/2"	19-1/2"	KS2-WASTE1-CHAM	2503940103
B18T	Double 36Qt. bin	15-1/4"	22"	19"	15-1/2"	19-1/2"	KS2-WASTE2-CHAM	2503940103
B21T	Double 36Qt. bin	15-1/4"	22"	19"	15-1/2"	19-1/2"	KS2-WASTE2-CHAM	2503940103
B15FHD-T_SGL	Single 52Qt. bin	12-1/4"	22"	23"	12-1/2"	23-1/2"	KS2-WASTE1-CHAM52	2505530103
B18FHD-T	Double 52Qt. bin	15-1/4"	22"	23"	14-1/2"	23-1/2"	KS2-WASTE2-CHAM52	2505530103
B21FHD-T	Double 52Qt. bin	15-1/4"	22"	23"	14-1/2"	23-1/2"	KS2-WASTE2-CHAM52	2505530103

PUSH-TO-OPEN (PTO) OPTION

- Mechanical operation - no need for electricity
- No change to pullout installation required
- Easy to retrofit with v-frame pullout
- Can be operated with or without door handles

Item No.

KS2-WASTE-PTO-CHAM



OPTIONAL LIDS

- Lids fit 36 qt. and 52 qt. containers
- 10-1/2"W x 14-1/2"D x 1"H
- For double units lid only works on front bin
- Lid adds 1" to the height of the unit

Item No.

KSWASTE-LID-CHAM



WALL CABINET STORAGE
BASE CORNERS
TRASH PULL-OUT
BASE PULL-OUTS
TAIL CABINET STORAGE



WALL CABINET
STORAGE

BASE
CORNERS

TRASH
PULL-OUT

BASE
PULL-OUTS

TALL CABINET
STORAGE





BASE PULL-OUTS

BASE PULL-OUT

KESSEBÖHMER

- Maximize lower cabinet storage with this handy base cabinet pull-out
- Height adjustable frame mounts behind full door
- For overlay and inset doors
- Baskets are height adjustable
- Top/bottom mounting with full extension frames provide full access

HÄFELE *soft&silent*)))



FULL EXTENSION FRAME

- W x D: 3 3/4" x 21 3/8"
- Installed height: 26 3/8" - 32"
- Weight capacity: 60 lbs.

Material

Steel, powder-coated

Supplied With

Slides
Front brackets

Note

Optional wide door brackets must be ordered separately, below.



champagne

Finish	Item No.
champagne	546.62.826

WIDE BOTTOM DOOR BRACKET, OPTIONAL

- W x H: 5 1/2" x 1 7/16"

Material

Steel

Note

Required for doors 15" or wider.



Finish	Item No.
champagne	545.09.890

ARENA PLUS TRAY SET

- Height: 4 1/8"

Material

Shelf: Melamine; Surround: Steel

Supplied With

2 Trays

Note

Cross dividers included on 4", 5" and 7" trays only.

Non
Slip



Maple/Champagne

Demetra Cabinet SKU	W x D	Cabinet Opening	Maple/Champagne
B06FHD	4" - 19 3/4"	4 1/2"	546.63.860
B09FHD	7" - 19 3/4"	7 1/2"	546.63.862
B12FHD	10" - 20 3/8"	10 1/2"	546.63.832
B15FHD	13" - 20 3/8"	13 1/2"	546.63.833
B18FHD	16" - 20 3/8"	16 1/2"	546.63.834
B21FHD	19" - 20 3/8"	19 1/2"	546.63.835

WALL CABINET STORAGE
BASE CORNERS
TRASH PULL-OUT
BASE PULL-OUTS
TALL CABINET STORAGE

BASE PULL-OUT

KESSEBÖHMER

- Maximize storage in even the narrowest of spaces, these base pull-outs offer wire sides to keep your items on the shelf and intact
- Mounts on the right hand side
- Full extension soft closing slides
- Shelves accommodate items with 3 1/2" diameter
- Weight capacity: 26.4 lbs.

HÄFELE *soft&silent*)))



WALL CABINET
STORAGE

BASE
CORNERS

TRASH
PULL-OUT

BASE
PULL-OUTS

TALL CABINET
STORAGE

90° 2-TIER PULL-OUT

- Min. inside cabinet W x D x H: 4 1/2" x 19" x 21 1/4"

Material
Steel

Note
Textured surface metal trays
Full extension slides

Demetra Cabinet SKU	Finish	Item No.
B06FHD	chrome	545.61.232



90° BAKING TRAY

- Min. inside cabinet W x D x H: 4 1/2" x 19" x 21 1/4"

Material
Steel

Note
Full extension slides

Demetra Cabinet SKU	Finish	Item No.
B06FHD	chrome	545.61.272



BASE PULL-OUT ACCESSORIES



FULL EXTENSION FRAME

- W x D: 3 3/4" x 21 3/8"
- Installed height: 26 3/8" - 32"
- Weight capacity: 60 lbs.

Material

Steel, powder-coated

Supplied With

Slides
Front brackets



champagne

Note

Optional wide door brackets must be ordered separately, below.

Finish	Item No.
champagne	546.62.826



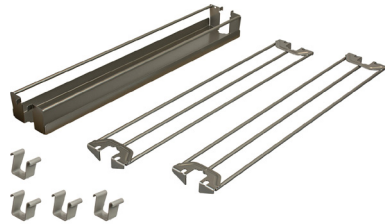
TRAY SET 3-5/16" WIDE

Material

Metal, Wire and Plastic

Supplied With

- 1 Metal shelf
- 4 Elastic bumpers
- 2 Wire racks (3 wires)
- 4 Plastic clips



Demetra Cabinet SKU	Finish	Item No.
B06FHD	Champagne	545.09.850

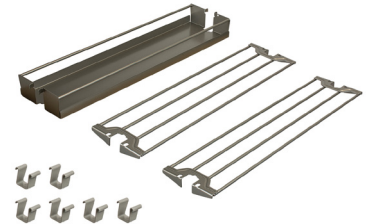
TRAY SET 5" WIDE

Material

Metal, Wire and Plastic

Supplied With

- 1 Metal shelf
- 4 Elastic bumpers
- 2 Wire racks (4 wires)
- 6 Plastic clips



Demetra Cabinet SKU	Finish	Item No.
B09FHD	Champagne	545.09.851

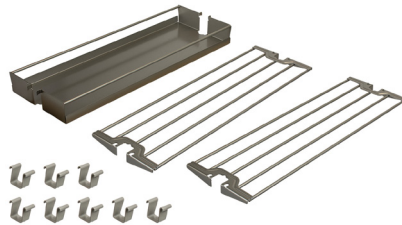
TRAY SET 7" WIDE

Material

Metal, Wire and Plastic

Supplied With

- 1 Metal shelf
- 4 Elastic bumpers
- 2 Wire racks (5 wires)
- 8 Plastic clips



Demetra Cabinet SKU	Finish	Item No.
B09FHD	Champagne	545.09.852

WALL CABINET STORAGE

BASE CORNERS

TRASH PULL-OUT

BASE PULL-OUTS

TALL CABINET STORAGE

BASE PULL-OUT

YOUBOXX



FULL EXTENSION FRAME

- W x D: 3 3/4" x 21 3/8"
- Installed height: 26 3/8" - 32"
- Weight capacity: 60 lbs.

Material

Steel, powder-coated

Supplied With

Slides
Front brackets



champagne

Note

Optional wide door brackets must be ordered separately, below.

Finish	Item No.
champagne	546.62.826



WALL CABINET
STORAGE

BASE
CORNERS

TRASH
PULL-OUT

BASE
PULL-OUTS

TALL CABINET
STORAGE

YOUBOXX SET 1

- Plastic; Color: white; Rails: Steel, powder-coated

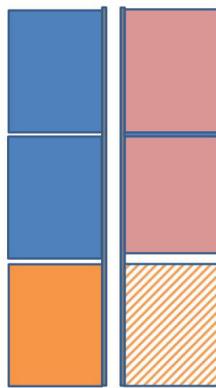
Supplied With

2 - 1 L boxes
1 - 2.1 L box
2 - 2 L boxes
1 Slotted knife block
2 Lids
2 Traverse rails



POSITION 1-

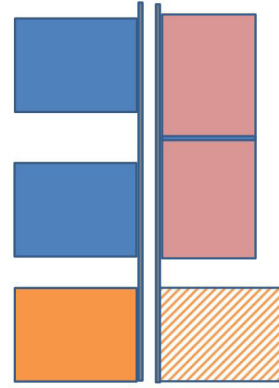
← 10" min. →



Demetra Cabinet SKU
B12FHD

POSITION 2-

← 13" min. →



Demetra Cabinet SKU
B15FHD

Finish	Item No.
Champagne	545.09.861

YOUBOXX SET 2

- Plastic; Color: white; Rails: Steel, powder-coated

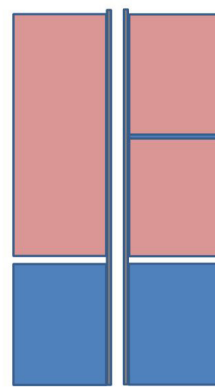
Supplied With

2 - 1 L boxes
2 - 2.1 L boxes
2 Lids
1 Large divider
2 Traverse rails



POSITION 1-

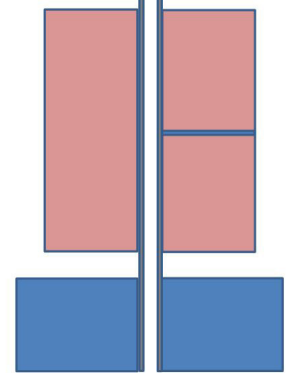
← 10.5" min. →



Demetra Cabinet SKU
B12FHD

POSITION 2-

← 13.25" min. →



Demetra Cabinet SKU
B15FHD

Finish	Item No.
Champagne	545.09.872

APPLIANCE LIFT

KV

- Mounts to cabinet side
- Adjustable spring tension and built-in shock dampeners
- Holds appliances up to 60 lbs.
- RAS-ML Series fits all cabinet sizes with soft-close hardware.
- ML Series is designed for 18" base cabinets and has soft-close hardware.



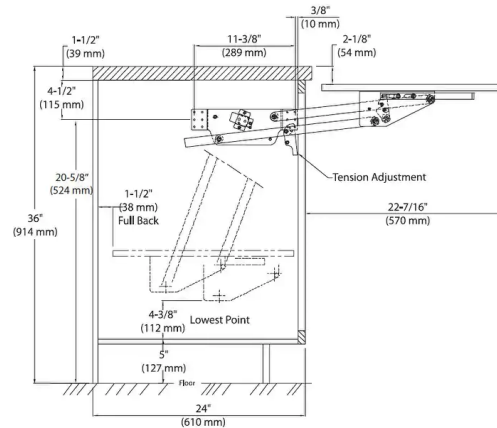
RAS-ML SERIES-MIXER LIFT HARDWARE ONLY

- Contains left and right-hand lifting arms and mounting hardware.
- Minimum height required: 28"
- Minimum cabinet depth: 20-1/2"
- **Use Demetra Platform, with edge band**

Finish	Item No.
Chrome - Soft-Closing	RAS-ML-HDSC



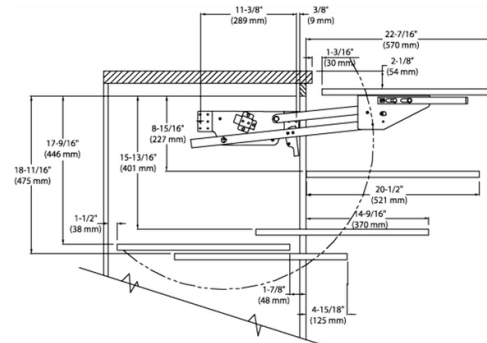
RAS-ML-HDSC Chrome Hardware Only



Recommended spring position for varying mixer weight	
0-20 lbs.	1
20-30 lbs.	2
30-60 lbs.	3

To determine the shelf size measure the distance between the mounting plates, when installed, minus 1/4". Recommended shelf length is 20", minimum thickness of 3/4". Mounting plates are 1" wide.

Mixer Clearance Dimensions



WALL CABINET STORAGE

BASE CORNERS

TRASH PULL-OUT

BASE PULL-OUTS

TALL CABINET STORAGE

WALL CABINET
STORAGE

BASE
CORNERS

TRASH
PULL-OUT

BASE
PULL-OUTS

TALL CABINET
STORAGE







TALL CABINET STORAGE

PANTRY PULL-OUT

KESSEBÖHMER

- With a 265 lb. load capacity, the Pantry Pull-Out is a great option for storing and bringing out to you olive oil and much more
- Easy installation
- For 12" to 24" cabinet widths
- Door mounted; works with overlay and inset doors
- Height adjustable trays in 4" increments
- Synchronized soft close runner provides more stable and smoother operation

HÄFELE *soft&silent*)))



WALL CABINET
STORAGE

BASE
CORNERS

TRASH
PULL-OUT

BASE
PULL-OUTS

TALL CABINET
STORAGE

FULL EXTENSION PANTRY FRAME

- W x D: 4 3/4" x 21 1/2"
- Weight capacity: 265 lbs.

Material
Steel

Supplied With
Frame, Runners, Door brackets, Integrated soft close

Note
Tray sets must be ordered separately, refer to pages 5.2.



Installed Height	Rec. # of Shelves	Item No.
47 1/4" – 63"	4	546.62.811

FRONT STABILIZER, OPTIONAL

- Can be secured anywhere to the support frame
- Additional door support for tall doors
- W x D x H: 6 5/16" x 1 1/8" x 13/16"



Material
Steel

Finish	Item No.
Champagne	546.76.420

ARENA PLUS TRAY SET

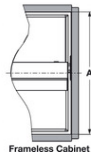
- D × H: 20 3/8" × 4 1/8"

Material

Shelf: Melamine; Surround: Steel, powder-coated

Supplied With

2 Trays



Frameless Cabinet

Non
Slip



Maple/Champagne

Demetra Cabinet SKU	Width of Tray	A minimum	Maple/Champagne
TC12	10"	10 1/2"	546.63.832
TC15	13"	13 1/2"	546.63.833
TC18	16"	16 1/2"	546.63.834
TC21	19"	19 1/2"	546.63.835

WALL CABINET
STORAGE

BASE
CORNERS

TRASH
PULL-OUT

BASE
PULL-OUTS

TALL CABINET
STORAGE

LAVIDO PANTRY PULL-OUT

KESSEBÖHMER

- This extremely flexible pantry storage solution provides high visibility and easy-to-reach access from three sides
- Features soft open and close
- Synchronized, full extension pantry runner, for perfectly smooth operation
- Infinite height adjustment feature on shelves—simply lift a lever to unlock the shelf for repositioning
- For use with a hinged door—165d hinge opening recommended, 90d opening minimum
- For 18" to 24" nominal cabinet widths

Note

There are 3 components you need to order for the Lavido Pantry.

A - Pantry Frame

B - Trays

C - Full Extension Runner



A - PANTRY FRAME

- Minimum inside cabinet depth: 19 11/16"
- Weight capacity: 44 lbs. per shelf / 286 lbs. total
- Pull-out travel: 18 1/2"

Material

Steel; Finish: silver

Internal Opening	Item No.
42" to 57" height	549.60.901



E-TOUCH AUTO OPENER, OPTIONAL

- 110 V – 240 V

Material

Steel/Plastic

	Item No.
	549.60.599



WALL CABINET
STORAGE

BASE
CORNERS

TRASH
PULL-OUT

BASE
PULL-OUTS

TALL CABINET
STORAGE

LAVIDO PANTRY PULL-OUT

KESSEBÖHMER

B - 4 TRAY SET

Material

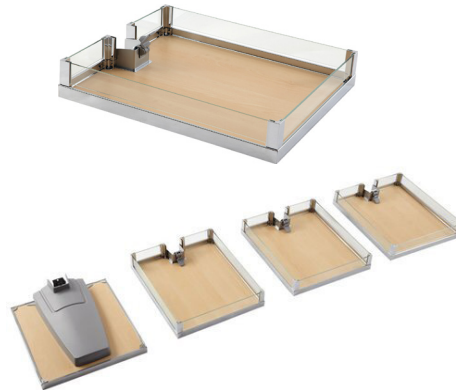
Shelf: Melamine; Surround: Steel

Supplied With

1 Tray with integrated top runner, 3 Height adjustable trays
4 Accessory boxes, 1 Support bracket, 1 Fixing brace,
1 Handle for mounting to the bottom of tray

Note

Optional to add individual trays—recommended to use 5 trays for pantries from 57" to 77" and 6 trays over 77".
Required to order 1 tray set, additional individual trays can be ordered separately, see below.



Demetra Cabinet SKU	Actual Tray Width	Nominal Cabinet Size	Maple/Chrome
TC18	15 3/4"	18"	549.64.214
TC21	17 11/16"	21"	549.64.215

C - FULL EXTENSION RUNNER

Material

Steel/Plastic

Finish	Item No.
Silver	549.60.990



INDIVIDUAL ADJUSTABLE TRAY

Material

Shelf: Melamine; Surround: Steel



Demetra Cabinet SKU	Actual Tray Width	Nominal Cabinet Size	Maple/Chrome
TC18	15 3/4"	18"	549.64.244
TC21	17 11/16"	21"	549.64.245

WALL CABINET
STORAGE

BASE
CORNERS

TRASH
PULL-OUT

BASE
PULL-OUTS

TALL CABINET
STORAGE

LEMANS II (FOR TALL CORNER)

KESSEBÖHMER

- An efficient and flexible storage solution offering highly usable space with full access that brings cabinet contents out to you
- Height of door hinge must be considered
- Shelves are height adjustable every 2"

HÄFELE

Non Slip



Maple/Champagne



SHELF WITH ADJUSTABLE POST

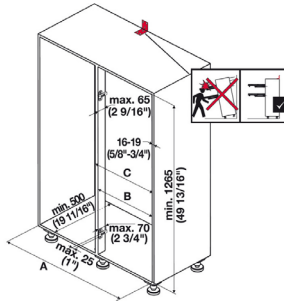
- Maximum weight capacity per shelf: 55 lbs.
- Minimum door opening 85°
- Internal cabinet height: min. 21 1/2"

Material

Shelf: Melamine; Surround: Steel

Supplied With

2 Tray sets (4 Trays), 2 Posts, 2 Soft Close



Model	A	B	C
45	min. 35 3/8"	16 3/16" - 16 7/16"	max. 17 11/16"
50	min. 39 3/8"	18 1/8" - 18 7/16"	max. 19 11/16"

Demetra Cabinet SKU	Model	Tray Size	Capacity	Swing	Maple/Champagne
TBC42XXL(18)-LE	45	15"	723 sq.in.	right	541.32.445
TBC42XXR(18)-LE	45	15"	723 sq.in.	left	541.32.446
TBC45XXL(21)-LE	50	18"	884 sq.in.	right	541.32.450
TBC45XXR(21)-LE	50	18"	884 sq.in.	left	541.32.451

HIGHBOARD POST KIT

- Min. inside cabinet height: 50"

Material

Steel and Plastic

Note

Order 2 LeMans II sets with the Post kit.

Finish	Item No.
champagne	541.30.473



WALL CABINET STORAGE

BASE CORNERS

TRASH PULL-OUT

BASE PULL-OUTS

TALL CABINET STORAGE

WOOD TALL FILLER PULL-OUT

- Available for 6" application in 39" and 45" heights
- Use alone or in conjunction with others to reach 84", 90", or 96" heights
- Adjustable shelves:
 - (5) for the 39" model
 - (6) for the 45" model
- Full-extension, ball-bearing slides, 150 lb. rated
- Features three-side design that provides for the most stable function on the market
- TSCA Title VI compliant



WALL CABINET
STORAGE

BASE
CORNERS

TRASH
PULL-OUT

BASE
PULL-OUTS

TALL CABINET
STORAGE

WOOD TALL FILLER PULL-OUT

- 432 Series
- Included mending plates securley fastens both frames together



Description	DIMS	Finish	Item No.
39" Tall Filler Organizer	6" W x 23" D x 38-1/2" H	Maple	432-TF39-6C
45" Tall Filler Organizer	6" W x 23" D x 44-1/2" H	Maple	432-TF45-6C



Production:
917 Commercial Street
San Jose, CA 95112
408.436.8694

San Jose Showroom:
1743 Rogers Ave.
San Jose, CA 95112
408.436.8684

Dublin Showroom:
6715 Dublin Blvd. Ste.A-B
Dublin, CA 94568
925.282.8100