

**DEMETRA DESIGNER USE ONLY:**

**File#**

**\*\*\* REQUIRED \*\*\***

<input checked="" type="checkbox"/> <input type="checkbox"/> <b>Signed</b>   <input type="checkbox"/> <b>Pending</b>	Terms & Conditions with Liability Waiver <small>** Not required if this policy has been signed on the 2nd step **</small>	<b>1</b>
<input checked="" type="checkbox"/> <input type="checkbox"/> <b>Signed</b>   <input type="checkbox"/> <b>Pending</b>	Design Checklist	<b>2</b>
<input checked="" type="checkbox"/> <input type="checkbox"/> <b>Provide Hardcopy or Attached E-Copy</b>	Demetra Installation Guideline Booklet <b>Scan this QR code for the link to our Installation Guideline</b>	<b>3</b>
<input checked="" type="checkbox"/> <input type="checkbox"/> <b>Signed &amp; Attached</b>   <input type="checkbox"/> <b>Pending</b>	Invoice	
<input checked="" type="checkbox"/> <input type="checkbox"/> <b>Signed &amp; Attached</b>   <input type="checkbox"/> <b>Pending</b>	Floor Plan with perspective views	

**\*\*\* JOB SPECIFIC \*\*\***

Please apply check mark (✓) on below documents if it's applicable to the job, attachment is required if applicable.

<input checked="" type="checkbox"/> <input type="checkbox"/> <b>Applicable</b>   <input type="checkbox"/> <b>Not Applicable</b>   <input type="checkbox"/> <b>Attached *</b> <small>(* if applicable)</small>	Appliance Worksheet <b>(applied for kitchen order only)</b>
<input checked="" type="checkbox"/> <input type="checkbox"/> <b>Applicable</b>   <input type="checkbox"/> <b>Not Applicable</b>   <input type="checkbox"/> <b>Attached *</b> <small>(* if applicable)</small>	Double Oven Worksheet <b>(applied for kitchen order only)</b>
<input checked="" type="checkbox"/> <input type="checkbox"/> <b>Applicable</b>   <input type="checkbox"/> <b>Not Applicable</b>   <input type="checkbox"/> <b>Attached *</b> <small>(* if applicable)</small>	Single Oven Worksheet <b>(applied for kitchen order only)</b>
<input checked="" type="checkbox"/> <input type="checkbox"/> <b>Applicable</b>   <input type="checkbox"/> <b>Not Applicable</b>   <input type="checkbox"/> <b>Attached *</b> <small>(* if applicable)</small>	Microwave Cabinet Worksheet <b>(applied for kitchen order only)</b>
<input checked="" type="checkbox"/> <input type="checkbox"/> <b>Applicable</b>   <input type="checkbox"/> <b>Not Applicable</b>   <input type="checkbox"/> <b>Attached *</b> <small>(* if applicable)</small>	CMC worksheet
<input checked="" type="checkbox"/> <input type="checkbox"/> <b>Applicable</b>   <input type="checkbox"/> <b>Not Applicable</b>   <input type="checkbox"/> <b>Attached *</b> <small>(* if applicable)</small>	Delivery Contract

**CUSTOMER USE ONLY:**

**Cabinet Order Release Approval:**

I (Customer) have reviewed this order and verify that it is accurate to my needs. I fully understand that Demetra Cabinetry builds and orders product based on the measurements confirmed by myself or my installer. I agree that Demetra Cabinetry will not be responsible in any way for the size or fit of my cabinets. I acknowledge that Demetra Cabinetry, Inc., its employees, representatives, agents, suppliers, vendors of product, and all of Demetra Cabinetry's affiliates and subsidiaries are not liable for any errors, miscalculations, or other issues related to or arising from measurements.

This Release contains the entire agreement between the parties and no representatives, verbal or written, between the parties, not contained herein, shall be any force or effect.

I warrant that no promise or inducement has been offered or made to me except as set forth herein. I have read this Release and understand all its terms. I am executing the Release voluntarily and with full knowledge of its significance.

**I understand that NO MORE CHANGES are permitted after this point!**

**Signature: X** \_\_\_\_\_ **Print Name:** \_\_\_\_\_ **Invoice#:** \_\_\_\_\_ **Date:** \_\_\_\_\_

# Design Checklist \_ v02 (12/07/2017)

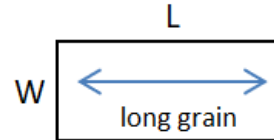


DESIGN USE ONLY

(apply  if applicable)

- 1 Door confirmation:  Client's sign-off in invoice  Picture emailed to client
- 2 Confirm Storage System **Options** installed in the corresponding cabinet with client?  Yes  Not applicable
- 3 Check Grain Limit? – Effect on Door Sizes | Tall panels | Tall fillers | TK | CMP (island panel)  Yes  Not applicable

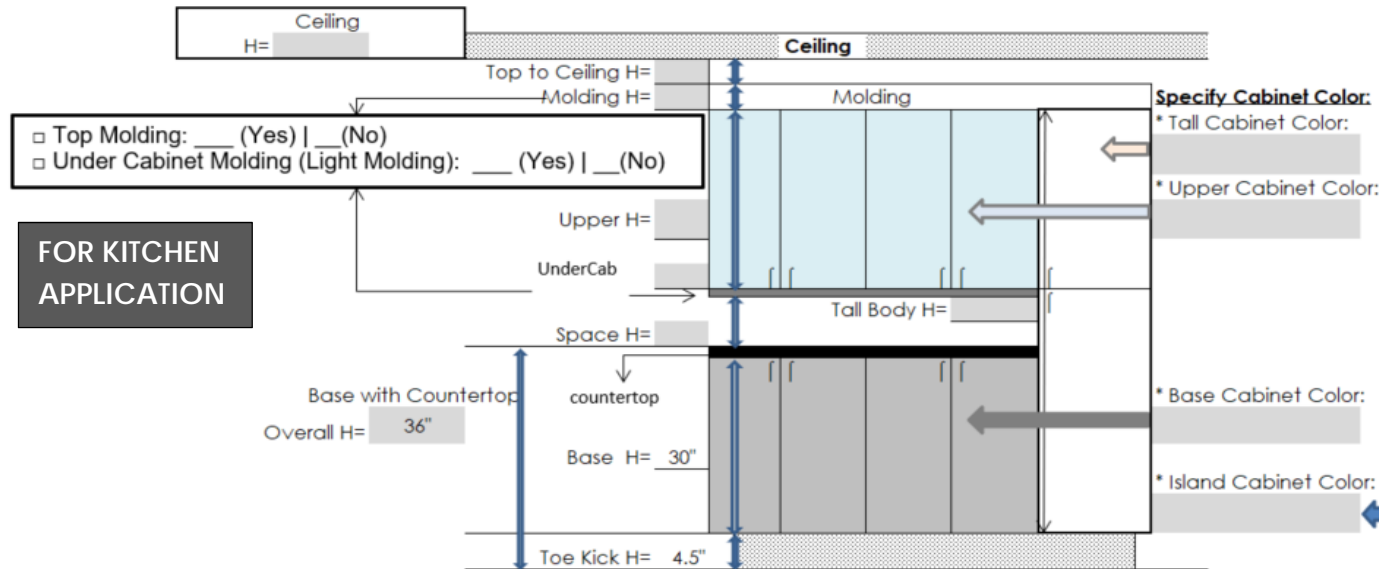
W x L	Demetra door series				
48"x96"	victoria*	liberty	diamond	ion	ultramatte
81"x110"	luca	alps			
51"x110"	mirror				
48"x108"	madrid	haute	shinnoki		



Grain Exception: Rialto LM60

**Client's Initial**

1 Specify Cabinet Height & Color (Please indicate in the grey fields of below)



2 Confirm Toe Kick Option (apply  on the option)

- Matching Toe Kick
- Aluminum Toe Kick
- Other Supporting feet

3 Glass door:  Not applicable  Applicable (apply  on the option)

<input type="checkbox"/> 1. Al (No softclosing)	<input type="checkbox"/> 2. Alw	<input type="checkbox"/> 3. Custom Alu.GD	<input type="checkbox"/> 4. French Lite *	<input type="checkbox"/> 5.Plain frame *
---	---------------------------------	---	---	--

**Frame width:**  
30mm

**Frame width:**  
54mm

-AL frame profile code: \_\_\_\_\_  
 -AL Frame Color Code: \_\_\_\_\_  
 -GD insert name: \_\_\_\_\_  
 -GD smooth side\*: \_\_\_ face in  
 | \_\_\_ face out

**Lite Qty:**  
\_\_\_\_\_

❖ Note: #4, #5 GD options only applies for IMPRESSIONS & CLASSICS collections

4 Drawer Front Options:  Not applicable  Applicable (apply  on the option)

<input type="checkbox"/> Slab	<input type="checkbox"/> 5pcs - Cope & Stick	<input type="checkbox"/> 5pcs - Mitered	<input type="checkbox"/> Routed
-------------------------------	--	---	---------------------------------

Images shown on left are taking examples of *Adobe 3/4 (830) & Revere Mitered 7/8 (148)*

- ❖ Standard w/ Reduced Top & Bottom Rail on Cope & Stick drawer front
- ❖ Standard w/ Reduced Frame on Mitered drawer front

1 - One Drawer		2- Two Drawers		3- Three Drawers			4- Four Drawers		
<input type="checkbox"/> 1-a	<input type="checkbox"/> 1-b	<input type="checkbox"/> 2-a	<input type="checkbox"/> 2-b	<input type="checkbox"/> 3-a	<input type="checkbox"/> 3-b	<input type="checkbox"/> 3-c	<input type="checkbox"/> 4-a	<input type="checkbox"/> 4-b	<input type="checkbox"/> 4-c

5 Wood Door Specification:  Not applicable  Applicable (apply  on the option)

- ❖ Wood species  Cherry  Maple  Alder  Other \_\_\_\_\_
- ❖ Center panel  Solid wood inverted raised panel (P1)  Solid Wood Raised Panel  Plywood Veneer Flat Panel

CUSTOMER USE

Customer: \_\_\_\_\_

Date: \_\_\_\_\_

# Appliance Worksheet

*Attach all supporting documents to this worksheet!*

Required Clearance / Cutout

Cooking	Brand / Model Number	W	H	D	Notes
	Free Standing Range				
Slide-in					
<b>Cook top</b>	Brand / Model Number	W	H	D	Notes
Gas (check for depth conflict)					
Electric					
<b>Range top</b>					
<b>Wall Oven (Single/Dbl)</b>					
<b>Microwave</b>	Brand / Model Number	W	H	D	Notes
Countertop					
Built-in					
Cabinet Hung					

Cleaning	Brand / Model Number	W	H	D	Notes
Dishwasher					Overlay panel? Yes or No
Sink					

Storage	Required Clearance / Cutout				
	Brand / Model Number	W	H	D	Notes
<b>Refrigerator</b> (circle one below)					Overlay panel? Yes or No
Std. Depth ~30"					
Counter Depth					
Built-in					

Other	Brand / Model Number	W	H	D	Notes
Trash Compactor					
Warming Tray					
Wine Fridge					
Espresso maker					
Hood					

CAUTION! In cases where appliances/plumbing fixtures(e.g. sink) are not pre-defined, Demetra will not be held responsible for appliances not fitting properly within the cabinets ordered. It is store policy that a contractor finalizes dimensions on drawings before sending orders to production to ensure that cabinets will fit appropriately.

# CUSTOM MADE CABINET (DC.CMC) WORK SHEET



**INVOICE#** \_\_\_\_\_

**CID#** \_\_\_\_\_

**Door color** \_\_\_\_\_

**Drawer head**

- Slab     5pcs     Routed
- Working Drawer     False Panel

**Edge banding color:**

\_\_\_\_\_ describe here \_\_\_\_\_

**Matching Interior**

- Yes                       No

**Storage Solutions Add-on**

\_\_\_\_\_ describe here \_\_\_\_\_

**Shelf Quantity:** \_\_\_\_\_

**Other Features:**

\_\_\_\_\_

\_\_\_\_\_

\_\_\_\_\_

Specify Configuration in the drawing

Width \_\_\_\_\_

Body Height \_\_\_\_\_

Body Depth \_\_\_\_\_

Signature: \_\_\_\_\_  
(Customer)

Date: \_\_\_\_\_

# STANDARD SINGLE OVEN CABINET WORKSHEET

**INVOICE #** \_\_\_\_\_

**CID #** \_\_\_\_\_

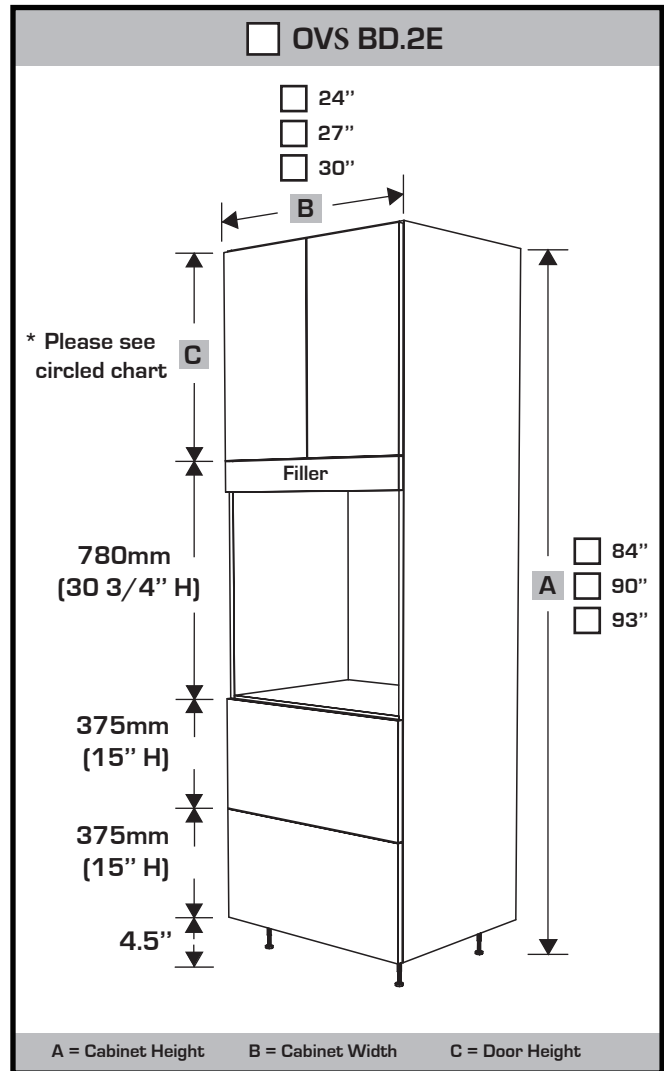
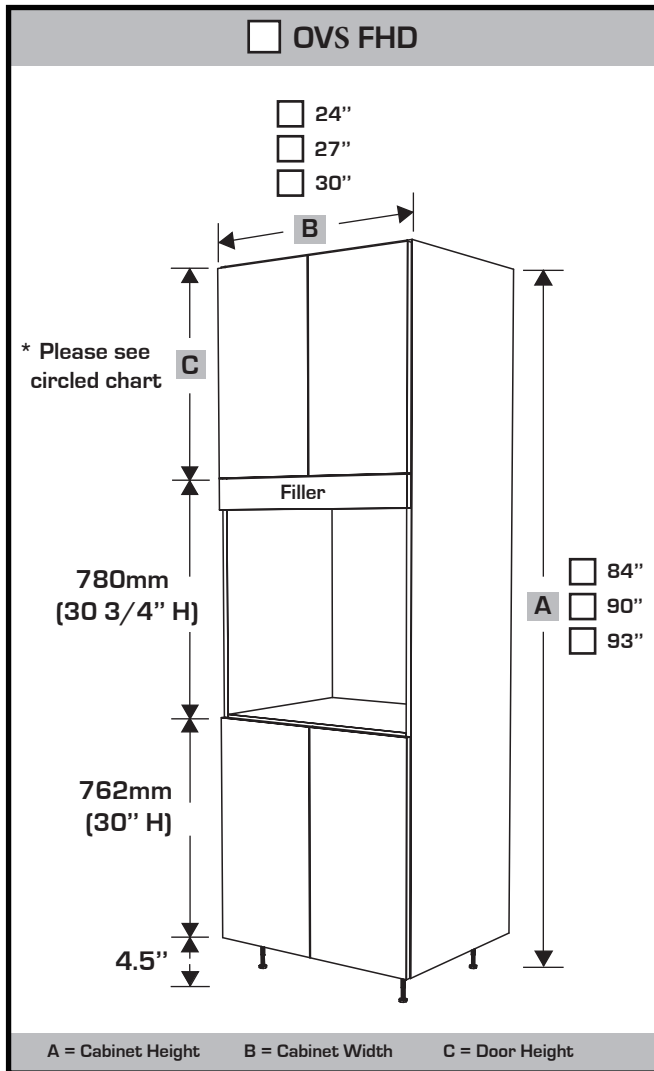
Oven Model Number \_\_\_\_\_

Oven Height \_\_\_\_\_

Filler Height =  $30 \frac{3}{4}$ " - Oven Height

\* Please circle specification from below chart

Top Door Height (C)			
Cabinet Height	84" H	90" H	93" H
Top Door H	18"	24"	27"



Signature : \_\_\_\_\_  
[ Customer ]

Date : \_\_\_\_\_

# BUILT - IN MICROWAVE CABINET WORKSHEET

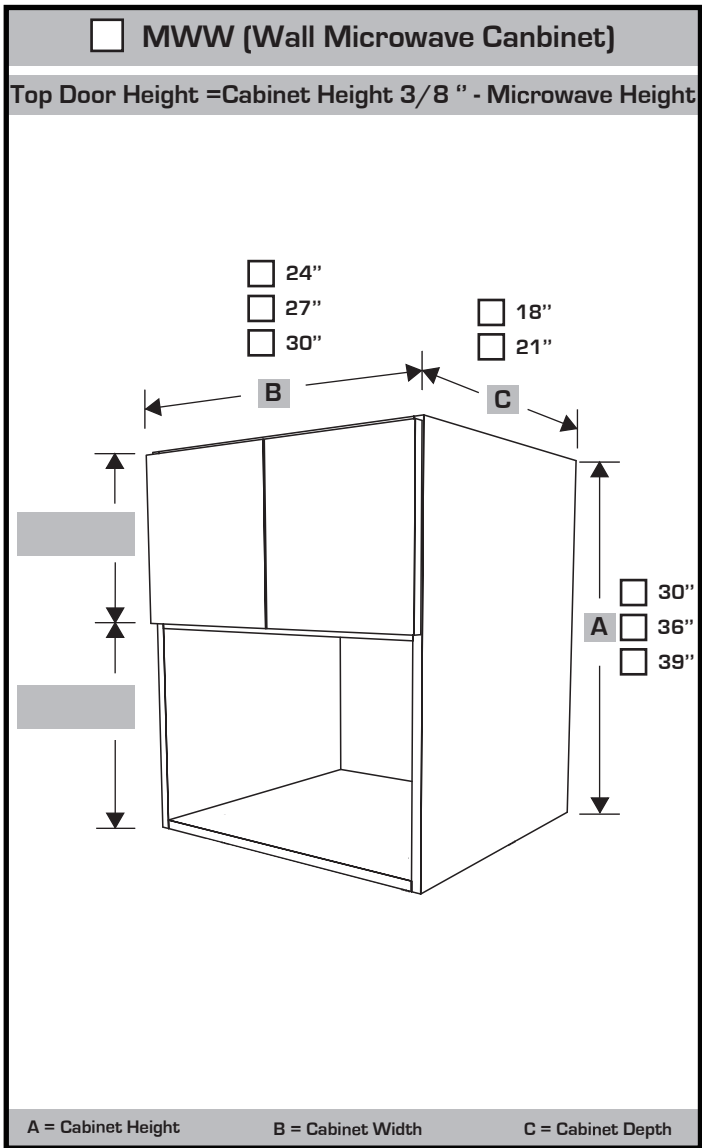
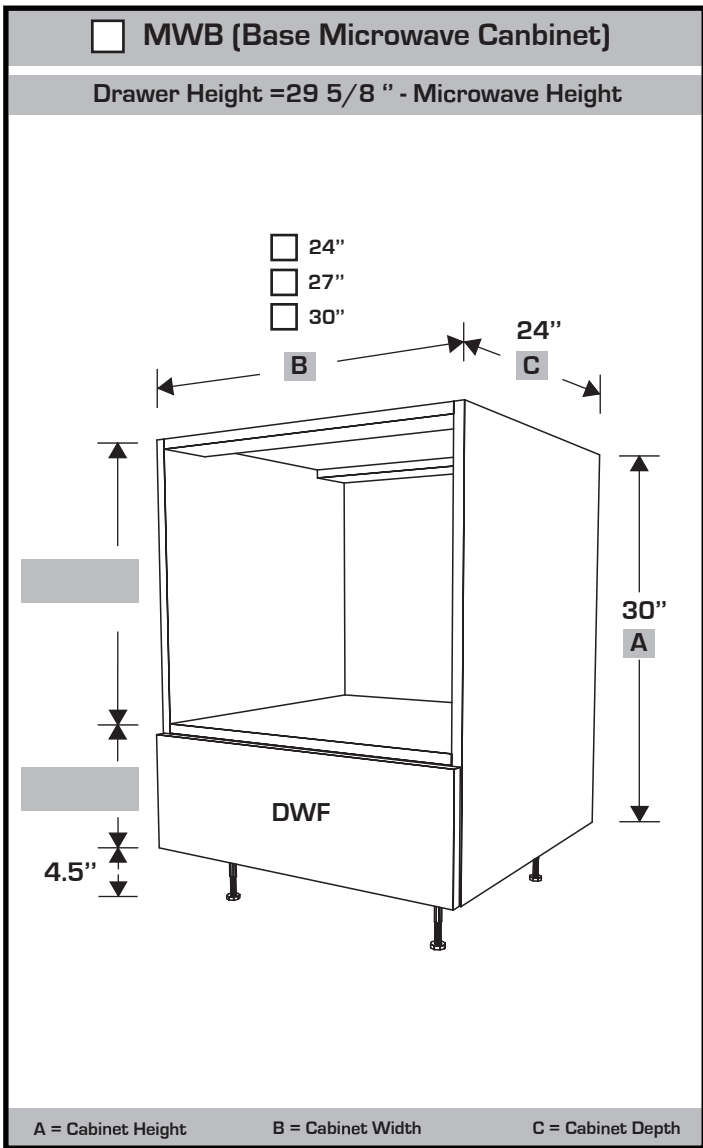
**INVOICE #**

**CID #**

**Microwave Model Number**

---

**Microwave Height**



**Signature :** \_\_\_\_\_  
 ( Customer )

**Date :** \_\_\_\_\_

# STANDARD DOUBLE OVEN CABINET WORKSHEET

**INVOICE #**

**CID #**

**Oven Model Number**

\_\_\_\_\_

\_\_\_\_\_

**Oven Height** \_\_\_\_\_

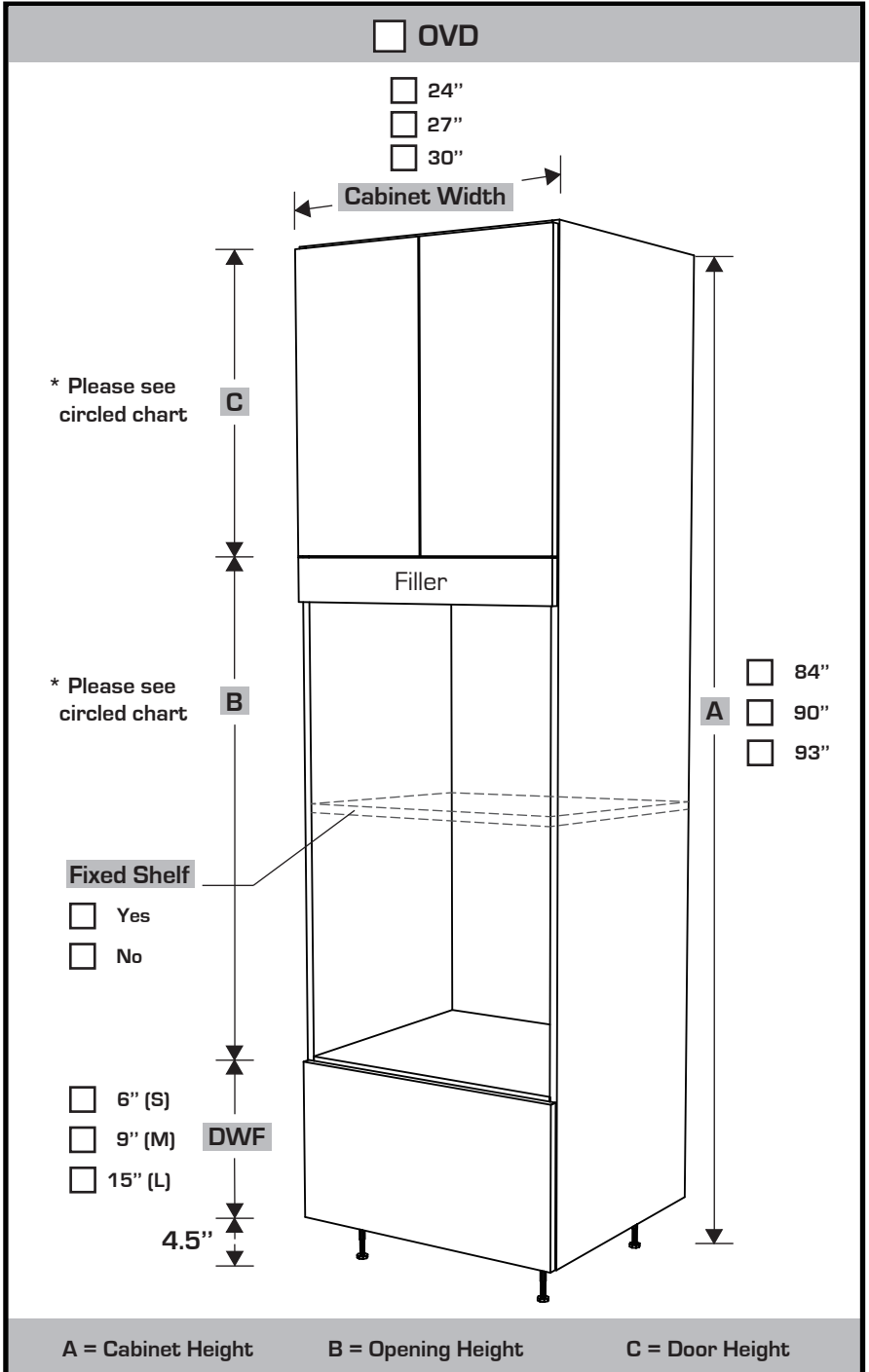
**Note**

\_\_\_\_\_

\_\_\_\_\_

\* Please circle specification from below chart

Opening Height (B) (For S/M Bottom Drawer)			
<b>Cabinet Height</b>	<b>84" H</b>	<b>90" H</b>	<b>93" H</b>
<b>DWF-S 6"</b>	54 1/2" <small>(1385 mm)</small>	54 1/2" <small>(1385 mm)</small>	54 1/2" <small>(1385 mm)</small>
<b>DWF-M 9"</b>	52 1/8" <small>(1325 mm)</small>	52 1/8" <small>(1325 mm)</small>	52 1/8" <small>(1325 mm)</small>
<b>Door H (C)</b>	18" Inch	24" Inch	27" Inch
Opening Height (B) (For L Bottom Drawer)			
<b>DWF-L 15"</b>	48 1/2" <small>(1232 mm)</small>	48 1/2" <small>(1232 mm)</small>	48 1/2" <small>(1232 mm)</small>
<b>Door H (C)</b>	15" Inch	21" Inch	24" Inch



Signature : \_\_\_\_\_  
[ Customer ]

Date : \_\_\_\_\_

# STANDARD BUILT-IN MICROWAVE TALL CABINET WORKSHEET

**INVOICE #**

**CID #**

**Microwave Model Number**

---



---

**Microwave Height**

**Note**

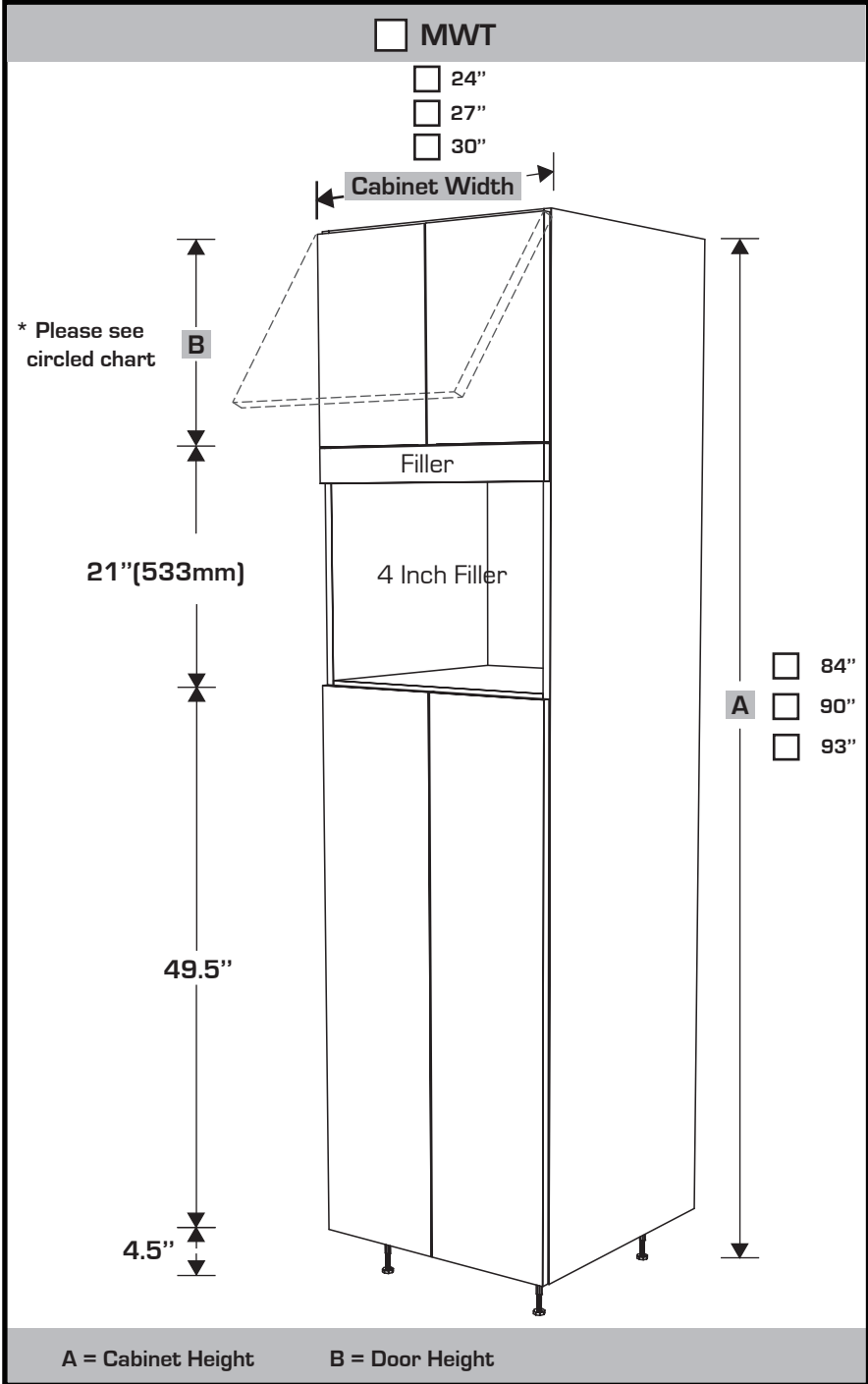
---



---



---



\* Please circle specification from below chart

Top Door Height (B)			
Cabinet Height	84" H	90" H	93" H
B(Opt1) Double Door	N / A	15" Inch	18" Inch
B(Opt2) Flap Up Door	09" Inch	N / A	N / A

Signature : \_\_\_\_\_  
[ Customer ]

Date : \_\_\_\_\_