

classic collection



material origin: U.S.A. 🇺🇸

price index: \$\$ - \$\$\$\$



- »»» FSC certified
- »»» eco friendly finish
- »»» custom made doors



* All doors can be custom made to order with specific desired wood species, finish type, and color.

Step 1: Pick your door profile



Shaker831



Ranchero23



Hayes348



Arizona940



Adobe830



Campbell385



Canterbury



Valencia81 (w/ battens)
* Tacoma893 (w/o battens)

Step 2: Pick your solid wood species



maple



cherry



alder

Step 3: Pick your finish color (finish type: clear, stain, and painted)



maple



alder



cherry



crepe



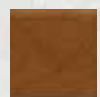
sea salt



bluepoint



licorice



toasted almond



nutmeg



chestnut



brazilNut



wild rice



molasses



java

* please check out our website or visit our showroom for more options of our door profile and finish color.

Our WATER-BASED finish

What is our water-based finish made of?

Our water-based top coat is a water-borne coalescing finish. It is primarily acrylic with some polymer content. When applied on our flat-line finishing system, it is cured using a UV lamp. Products that cannot be finished on the flat-line finishing system are cured using heat. We use both pigmented and dyeing stains to achieve your preferred finish on your selected wood species.

Why use water-based finished?

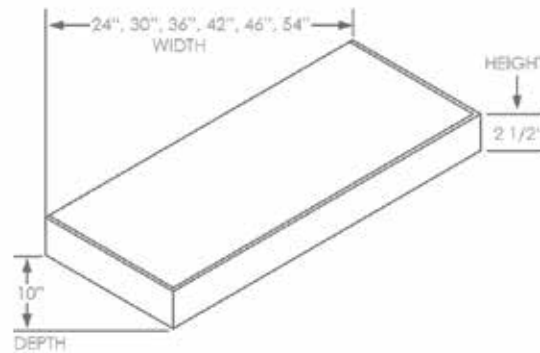
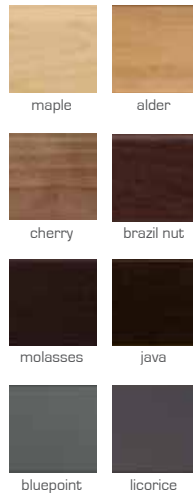
Our water-based finishes provides a beautiful appearance, stunning depth of look, and a smooth, tactile feel that exceeds expectations!

Environmental compliance is another key reason to opt for a water-based finish. Many solvents evaporate into what are known as volatile organic compounds, or VOCs. Water-based coatings have no or considerably less solvents, they are a great way to lower the VOC output.

floating shelf



- »»» accommodate perfect for today's transitional or contemporary kitchen and bathroom styling
- »»» use functionally to store plates, glasses or decorative items in the kitchen
- »»» unique hanging system safely supports 15 pounds per running foot of shelf length
- »»» 6 widths offered: 24", 30", 36", 42", 48" and 54"
- »»» shelves are 2-1/2" thick x 10" deep
- »»» offered in ready-to-finish maple, cherry, alder, and paint grade
- »»» standard grain orientation: horizontal top/bottom/all edges



*please check out our website or visit our showroom for more colors.



classic collection

Demetra's classic collection features solid wood door, constructed with either a raised or recessed panel. We offer four wood species: maple, cherry, alder, and hardwood painted grade, with three finish types: clear, stain and painted, as well as over 20 finish color options.

All doors can be custom made to order with specific desired wood species, finish type and color.

* Wood grain representations may vary from illustration. Please see actual sample for more accurate color and comparison.

